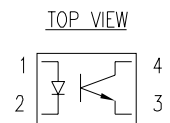
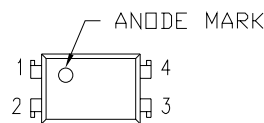


UNCONTROLLED DOCUMENT

PART NUMBER  
OCP-PCT114/X

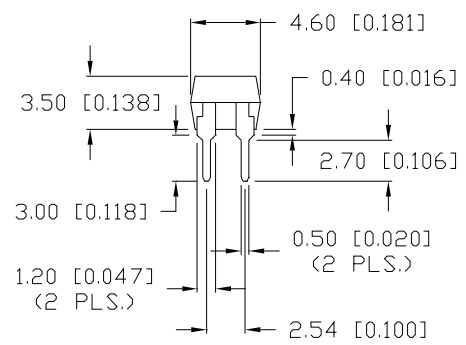
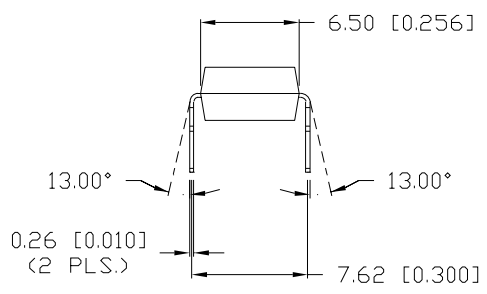
REV.

REV. E.C.N. NUMBER AND REVISION COMMENTS DATE



- NOTES:
1. ANODE
  2. CATHODE
  3. EMITTER
  4. COLLECTOR

CAUTION: STATIC SENSITIVE DEVICE  
FOLLOW PROPER E.S.D. HANDLING PROCEDURES  
WHEN WORKING WITH THIS PART.



PART= /X	CTR (%)
/A	60 TO 160
/B	130 TO 260
/C	200 TO 400
/D	300 TO 600
/E	60 TO 600

PARAMETER	SYMBOL	MAX	UNITS
I	FORWARD CURRENT	I <sub>F</sub>	50 mA
	PEAK FORWARD CURRENT	I <sub>FM</sub>	1 A
	REVERSE VOLTAGE	V <sub>R</sub>	6 V
	POWER DISSIPATION	P <sub>d</sub>	70 mW
O	COLLECTOR-EMITTER VOLTAGE	V <sub>CE0</sub>	60 V
	EMITTER-COLLECTOR VOLTAGE	V <sub>EC0</sub>	6 V
	COLLECTOR CURRENT	I <sub>C</sub>	50 mA
	COLLECTOR POWER DISSIPATION	P <sub>C</sub>	150 mW
	TOTAL POWER DISSIPATION	P <sub>tot</sub>	200 mW
	ISOLATION VOLTAGE 1 MIN.	V <sub>ISO</sub>	5000 V <sub>RMS</sub>
	OPERATING TEMPERATURE	T <sub>opr</sub>	- 30 TO + 100 °C
	STORAGE TEMPERATURE	T <sub>stg</sub>	- 55 TO + 125 °C
	SOLDERING TEMPERATURE	T <sub>sol</sub>	+ 260 °C
	2.0mm FROM BODY		10 SEC. MAX

PARAMETER	SYMBOL	CONDITIONS	MIN	TYP	MAX	UNITS
I	FORWARD VOLTAGE	V <sub>F</sub> I <sub>F</sub> =20mA	-	1.2	1.4	V
	PEAK FORWARD VOLTAGE	V <sub>FM</sub> I <sub>FM</sub> =0.5A	-	-	3.5	V
	REVERSE CURRENT	I <sub>R</sub> V <sub>R</sub> =4V	-	-	10	μA
	TERMINAL CAPACITANCE	C <sub>t</sub> V=0, f=1kHz	-	30	-	pF
O	COLLECTOR DARK CURRENT	I <sub>CE0</sub> V <sub>CE</sub> =20V	-	-	10 <sup>-7</sup>	A
T	CURRENT TRANSFER RATIO	CRT I <sub>F</sub> =2mA, V <sub>CE</sub> =5V	60	-	600	%
	COLLECTOR-EMITTER SATURATION VOLTAGE	V <sub>CE(sat)</sub> I <sub>F</sub> =20mA, I <sub>C</sub> =1mA	-	0.1	0.3	V
	ISOLATION RESISTANCE	R <sub>ISO</sub> DC500V	5x10 <sup>10</sup>	10 <sup>11</sup>	-	ohm
	FLOATING CAPACITANCE	C <sub>f</sub> V=0, f=1MHz	-	0.6	1.0	pF
	CUT-OFF FREQUENCY	f <sub>c</sub> V <sub>CE</sub> =5V, I <sub>C</sub> =2mA, R <sub>L</sub> =100ohm	-	80	-	kHz
	RESPONSE TIME (RISE)	t <sub>r</sub> V <sub>CE</sub> =5V, I <sub>C</sub> =2mA, R <sub>L</sub> =100ohm	-	5	20	μS
	RESPONSE TIME (FALL)	t <sub>f</sub> V <sub>CE</sub> =5V, I <sub>C</sub> =2mA, R <sub>L</sub> =100ohm	-	4	20	μS

I=INPUT, O=OUTPUT, T=TRANSFER CHARACTERISTICS.

I=INPUT, O=OUTPUT.

UNCONTROLLED DOCUMENT

\*UNLESS OTHERWISE SPECIFIED TOLERANCE IS ±0.25mm (±0.010")

REV. PART NUMBER  
OCP-PCT114/X

CONFIDENTIAL INFORMATION  
THE INFORMATION CONTAINED IN THIS DOCUMENT IS THE PROPERTY OF LUMEX INC. EXCEPT AS SPECIFICALLY AUTHORIZED IN WRITING BY LUMEX INC., THE HOLDER OF THIS DOCUMENT SHALL KEEP ALL INFORMATION CONTAINED HEREIN CONFIDENTIAL AND SHALL PROTECT SAME IN WHOLE OR IN PART FROM DISCLOSURE AND DISSEMINATION TO ALL THIRD PARTIES.



290 E. HELLEN ROAD  
PALATINE, ILLINOIS 60067  
PHONE: 1-847-359-2790  
WEB: HTTP://WWW.LUMEX.COM

FOUR PIN DIP SINGLE CHANNEL PHOTOCOUPLER,  
TRANSISTOR OUTPUT, NO EXTERNAL BASE CONNECTION.

RELIABILITY NOTE  
OUR MANY YEARS OF EXPERIENCE DATA ACCUMULATION INDICATE THAT SOLDER HEAT IS A MAJOR CAUSE OF EARLY AND FUTURE FAILURE. PLEASE PAY ATTENTION TO YOUR SOLDERING PROCESS.

DRAWN BY: CK/DU CHECKED BY: APPROVED BY: DATE: 9-29-99  
PAGE: 1 OF 1  
SCALE: N/A